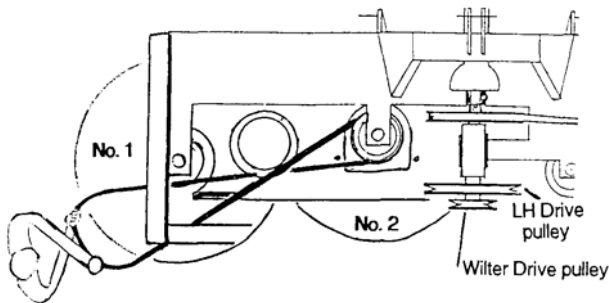
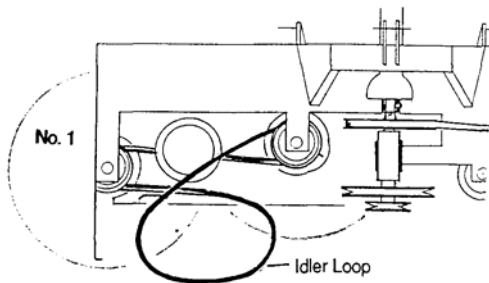


3300 INSTRUCTIONS FOR FITTING VEE BELT TO LH ROTORS (No. 1 & No. 2)

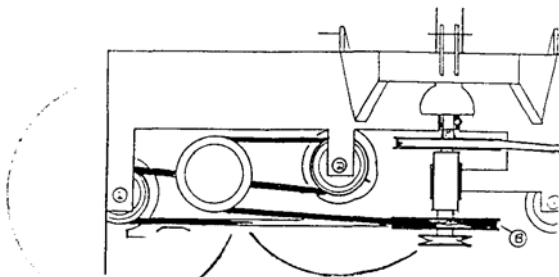
- Remove top plastic cover and LH rear plastic guard.
 - Loosen off LH side sliding idler, and remove Wilter belt from its drive pulley by releasing the belt tension (RH rear idler).
 - Remove silver seal plate from **No. 2** rotor (2 x M12 bolts).
 - Lift mower off the ground.



- Feed belt loop down through chassis behind No.2 rotor (where seal plate was) and slip belt loop under the rotor.
- Fit **LH** length of belt into gap in sealing ring and rotate rotor clockwise to lift belt up into rotor pulley.
- Pull free loop of belt out to LH rear of mower. Grasp belt as shown and twist arms **LEFT over RIGHT** to form a figure "8" like this.



- Now the tricky bit: Slip the lower / front length of belt under the **No. 1** (Far LH) rotor. Fit this same length of belt into the gap in the sealing ring on this rotor and rotate it anti-clockwise to lift the belt up into the rotor pulley.
- Belt should now easily twist **Right over Left** to create the idler loop as shown.



- Fit the belt into all of the pulleys and check rotation.
- Tension the belt, rotating the rotors by hand while doing this to ensure even tension.
- Re-fit other belts to their pulleys and tension up. Ensure all bolts are tight.
- Replace guards and top cover.

INSTRUCTIONS FOR FITTING 3300 WILTER BELT

- Remove top plastic cover and all rear plastic guards.
 - Loosed off Wilter idler (RH rear idler). Both Drive belts can remain tensioned while working on Wilter Belt.
- Fit belt onto LH and RH Wilters. Ensure there are no twists in the rear length of belt and that it is not caught on any of the pins underneath.
 - Grasp the front length of belt as shown. Roll top of belt backwards (throttle-twist) a full turn (i.e. 2 actions) and twist arms **Right over Left**. This should happen easily and will naturally create the idler loop.

More instructions at the bottom of the next page